



# Hose Reels

A Complete Family of High Quality Reels



PROVEN QUALITY. LEADING TECHNOLOGY.

# What Makes a Good Hose Reel?

## Durability, performance and value built into every one of our new hose reels.

A robust frame, hose length and size are important, but the spring, latch and swivel are really the core of a hose reel. Our new spring design makes it easy to pull down—especially those last 3 m (10 ft), and a spring latch that retracts the hose so you don't have to fight to get it to operate. Plus, a durable full-flow swivel to maximize material flow with minimal pressure drop.

### Single or Dual Pedestal Options

Heavy-duty, high-strength steel construction with rolled edges and ribbed stress points for more strength than ever before

### Improved High-Demand Spring

Long-life spring extends and retracts with constant force to reduce user fatigue

### Full-Flow Swivel

Maximize material flow with minimal pressure drop

### Spring Adjustment

Increase or decrease spring tension while reel is pressurized with fluid (LD Enclosed and XD models)

### Larger Hose Capacity with Smaller Profile

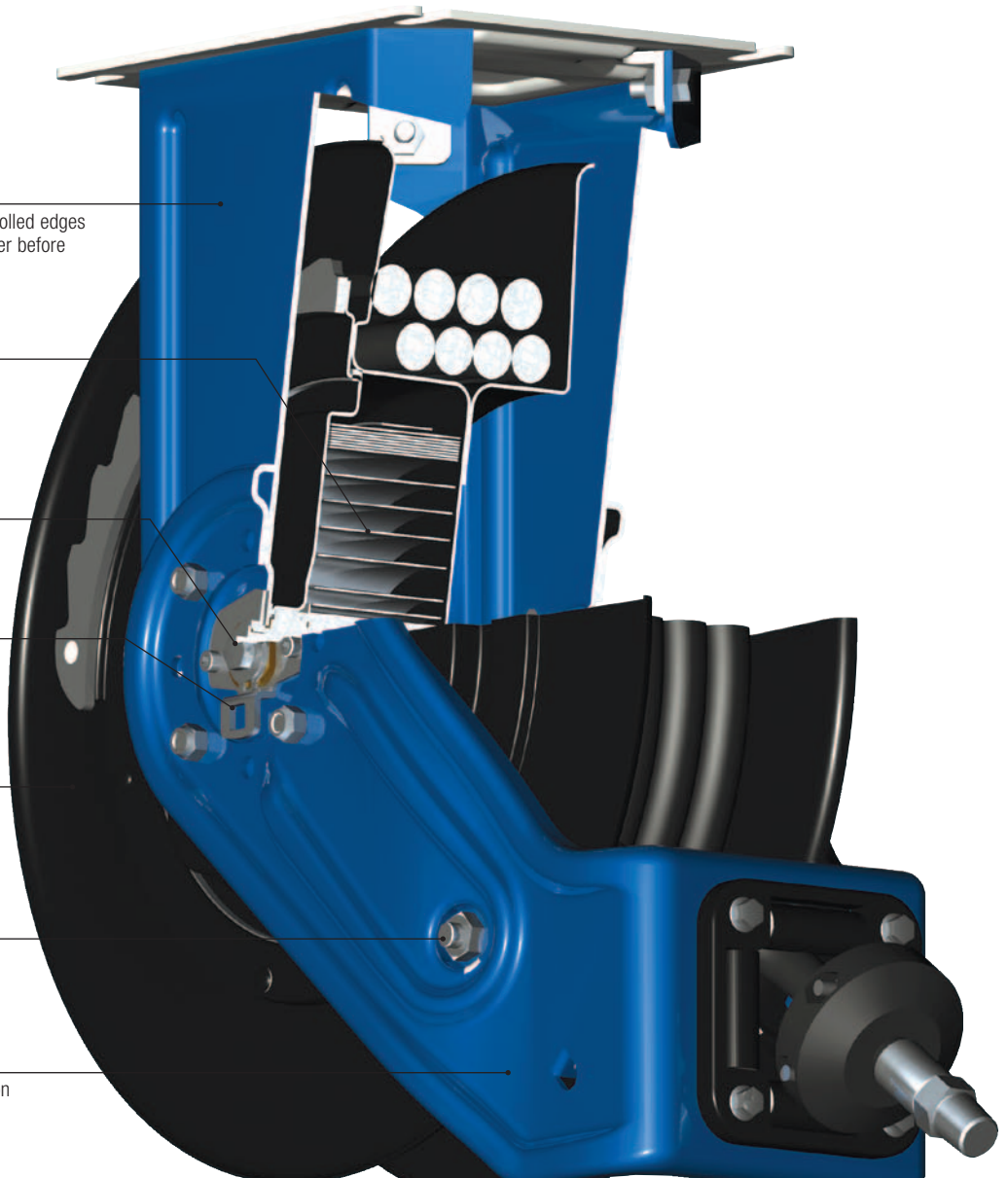
Compact pedestal and spool fits into tight spaces and can accommodate 10-20 meters (35-65 foot) hose capacity for a wide variety of applications

### Improved Latch Design

No more frustrating lock-out at full hose extension

### Durable Finish in More Colours

Baked-on enamel finish protects reel from corrosion for longer life—now available in six colours



XD model shown

Standard colour: metallic blue.

Additional five colours available. Consult customer service for lead times.



# Three New Families of Hose Reels

## LD Series



Entry level enclosed hose reels designed for light-duty applications

- Easy, Quick Installation
- Flexible Mounting Options
- Indoor Use

### Markets

- Small Maintenance Shops
- Tire/Muffler Shops
- Small Fast Lubes
- Independent Repair Facilities
- Industrial Manufacturing Facilities

Frequency of use

Frame Strength

## SD Series



Professional level hose reels designed for frequent, everyday use in a wide variety of applications

- Single Pedestal Frame
- Metal or Composite Spool
- Indoor and Moderate Outdoor Use
- Enclosure Available
- Compact Design Fits in Small Spaces
- Non-Sparking Ratchet

### Markets

- Car Dealerships
- Light/Medium-Duty Truck Dealers
- Fleet Maintenance
- Mining Maintenance
- Public Works Garages
- Construction Vehicle Maintenance
- Light-Utility Service Trucks

Frequency of use

Frame Strength

## XD Series



High performance hose reels designed for heavy-duty jobs that require high-frequency use, extra strength and durability

- Dual Pedestal Frame
- Metal Spool
- Rugged, Indoor and Outdoor Use
- Narrow Footprint
- Sealed Springs
- In-Field Spring Adjustment
- Non-Sparking Ratchet
- Sealed Roller Bearings

### Markets

- Heavy-Duty Truck Dealers
- Fleet Maintenance
- Mining Maintenance
- Public Works Garages
- Construction Vehicle Maintenance
- Heavy-Duty Mobile Service Trucks

Frequency of use

Frame Strength

**BUILT  
GRACO TOUGH**

# Simple to Install, Mounts in Minutes!

## LD Enclosed

### Hose Reels



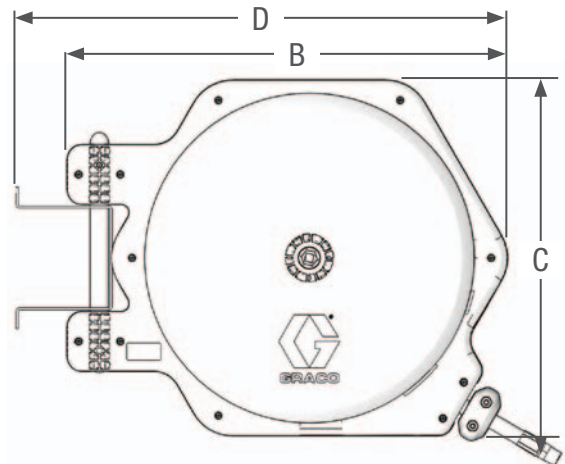
Enclosed hose reel comes with ceiling/wall mounting swivel bracket. Required inlet hose kit sold separately.

### Features

- Designed for light-duty applications
- Enclosed for safety and protection, extends hose life
- Flexible mounting options-hang on wall or ceiling; bench, table or tank top-mount options available
- Full-flow swivel maximizes fluid flow with minimal pressure drop
- Easy spring tension adjustment, increase or decrease pressure spring tension while reel is pressurized

### Dimensions

LD SERIES	
A	180 mm (7.1 in)
B	585 mm (23.0 in)
C	470 mm (18.5 in)
D	650 mm (25.6 in)



# Technical Specifications

Model N°	Application	Hose Size	Maximum Pressure			Inlet Kit ❖
			PSI	BAR	Mpa	
HEL13 D	Air Only	6mm x 10m	250	17.2	1.7	24C437
HEL15 D	Air Only	6mm x 15m	250	17.2	1.7	24C437
HEL23 D	Air / Water	10mm x 10m	250	17.2	1.7	24C438
HEL25 D	Air / Water	10mm x 15m	250	17.2	1.7	24C438
HEL33 D	Air / Water	12mm x 10m	250	17.2	1.7	24C438
HEL34 D	Air / Water	10mm x 14m	250	17.2	1.7	24C438
HEM23 D	Oil	10mm x 10m	1800	124.0	12.4	24C440
HEM33 D	Oil	12mm x 10m	1800	124.0	12.4	24C441
HEH13 D	Grease	6mm x 10m	5000	345	34.5	24C442
24M275	Oil	12mm x 10m	750	52.0	5.2	24C441
24M276	Oil	12mm x 10m	750	52.0	5.2	24C441

❖ Must be ordered separately.

# Ordering Information

## LD Reels + Inlet Kit

		BSPP (G)	BSPT (R)	NPT	Inlet kit	Fluid	Hose	
							ID (IN)	Lenght (m)
<b>ENCLOSED REEL</b>	<b>Wall Mount Swivel</b>	24J258	24F744	24F735	Yes	Air	1/4	11
		24J259	24F745	24F736	Yes	Air	1/4	15
		24J260	24F746	24F737	Yes	Air / Water	3/8	11
		24J261	24F747	24F738	Yes	Air / Water	3/8	15
		24J262	24F748	24F739	Yes	Air / Water	1/2	11
		24J263	24F749	24F740	Yes	Air / Water	1/2	14
		24J264	24F750	24F741	Yes	Oil	3/8	11
		24J265	24F751	24F742	Yes	Oil	1/2	11
		24J266	24F752	24F743	Yes	Grease	1/4	11
	<b>Wall Mount Fixed</b>	24J267	24F762	24F753	Yes	Air	1/4	11
		24J268	24F763	24F754	Yes	Air	1/4	15
		24J269	24F764	24F755	Yes	Air / Water	3/8	11
		24J270	24F765	24F756	Yes	Air / Water	3/8	15
		24J271	24F766	24F757	Yes	Air / Water	1/2	11
		24J272	24F767	24F758	Yes	Air / Water	1/2	14
		24J273	24F768	24F759	Yes	Oil	3/8	11
		24J274	24F769	24F760	Yes	Oil	1/2	11
		24J275	24F770	24F761	Yes	Grease	1/4	11
	<b>Bench Mount Swivel</b>	24J276	24F780	24F771	Yes	air	1/4	11
		24J277	24F781	24F772	Yes	air	1/4	15
		24J278	24F782	24F773	Yes	air / Water	3/8	11
		24J279	24F783	24F774	Yes	air / Water	3/8	15
		24J280	24F784	24F775	Yes	air / Water	1/2	11
		24J281	24F785	24F776	Yes	air / Water	1/2	14
		24J282	24F786	24F777	Yes	oil	3/8	11
		24J283	24F787	24F778	Yes	oil	1/2	11
		24J284	24F788	24F779	Yes	grease	1/4	11
	<b>ENCLOSED REEL</b>	<b>Wall Mount Swivel</b>	-	HEL13D	-	No	Air	1/4
-			HEL15D	-	No	Air	1/4	15
-			HEL23D	-	No	Air / Water	3/8	11
-			HEL25D	-	No	Air / Water	3/8	15
-			HEL33D	-	No	Air / Water	1/2	11
-			HEL34D	-	No	Oil	3/8	11
-			HEM23D	-	No	Oil	1/2	11
-			HEM33D	-	No	Grease	1/4	11

## LD Enclosed Reels Packages

Part number	Description
<b>24D197</b>	
Includes:	
HEM33D	LD Enclosed hose reel, 12 x 11 m, oil
24C538	Inlet kit, 12mm, oil
256215	Valve, metered, LDM5, rigid extension
<b>24D198</b>	
Includes:	
HEM33D	LD Enclosed hose reel, 12 x 11 m, oil
24C538	Inlet kit, 12mm, oil
255751	Valve, metered, LDM5, flex extension
<b>24D199</b>	
Includes:	
HEM33D	Ld enclosed hose reel, 12 x 11 m, oil
24C538	Inlet kit, 12mm, oil
255751	Valve, metered, LDP5, rigid extension
<b>24D200</b>	
Includes:	
HEM33D	LD Enclosed hose reel, 12 x 11 m, oil
24C538	Inlet kit, 12mm, oil
255277	Valve, metered, LDP5, flex extension



# Everyday Workhorse Metal Spool for Extra Durability

## Hose Reels



Single pedestal with metal spool. Inlet Hose Kit sold separately.

## SD Steel Spool

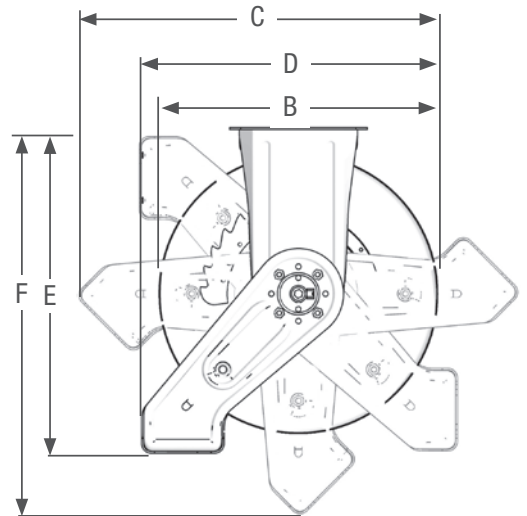
### Features

- Designed for daily use applications such as dealerships, fleet service and maintenance facilities
- Structurally engineered frame made from high strength steel won't bend or flex
- Long-lasting spring provides constant spring torque through the entire range of motion
- Flexible positioning of guide arm for mounting on bench or ceiling, wall or utility truck
- Steel spool for demanding applications
- Open swivel ports ensure high fluid flow with minimal pressure loss
- Enclosure kits available-ideal when appearance and protection is important
- Available in six colours. Metallic blue is standard.

### Dimensions

SD SERIES SIZE 10	
A	177 mm (7.0 in)
B	412 mm (16.2 in)
C	533 mm (21.0 in)
D	435 mm (17.1 in)
E	495 mm (19.5 in)
F	571 mm (22.5 in)

SD SERIES SIZE 20	
A	177 mm (7.0 in)
B	460 mm (18.1 in)
C	594 mm (23.4 in)
D	488 mm (19.2 in)
E	554 mm (21.8 in)
F	640 mm (25.2 in)





# Technical Specifications

Model N°	Size	Type	Pressure Rating Bar (psi)	Media	Connection Size		Hose ID (inches)	Length (meters)
					Inlet	Outlet		
HPL2D#	10	Bare	20,7 (300)	Air / Water	3/8 npsm (m) 3/8 bspp (m)	1/2 npsm (f) 1/2 bspp (f)	3/8	15
HPL6D#	20	Bare	20,7 (300)	Air / Water	1/2 npsm (m) 1/2 bspp (m)	1/2 npsm (f) 1/2 bspp (f)	1/2	15
HPL23#	10	Hose	20,7 (300)	Air / Water	1/2 npsm (m) 1/2 bspp (m)	3/8 npt (m) 3/8 bspp (m) 3/8 bspt (m)	3/8	11
HPL25#	10	Hose	20,7 (300)	Air / Water	1/2 npsm (m) 1/2 bspp (m)	3/8 npt (m) 3/8 bspp (m) 3/8 bspt (m)	3/8	15
HPL56#	20	Hose	20,7 (300)	Air / Water	1/2 npsm (m) 1/2 bspp (m)	3/8 npt (m) 3/8 bspp (m) 3/8 bspt (m)	3/8	20
HPL33#	10	Hose	20,7 (300)	Air / Water	1/2 npsm (m) 1/2 bspp (m)	1/2 npt (m) 1/2 bspp (m) 1/2 bspt (m)	1/2	11
HPL65#	20	Hose	20,7 (300)	Air / Water	1/2 npsm (m) 1/2 bspp (m)	1/2 npt (m) 1/2 bspp (m) 1/2 bspt (m)	1/2	15
HPM3B#	10	Bare	138 (2000)	Oil	1/2 npsm (m) 1/2 bspp (m)	1/2 npsm (f) 1/2 bspp (f)	1/2	11
HPM6D#	20	Bare	138 (2000)	Oil	1/2 npsm (m) 1/2 bspp (m)	1/2 npsm (f) 1/2 bspp (f)	1/2	15
HPM33#	10	Hose	138 (2000)	Oil	1/2 npsm (m) 1/2 bspp (m)	1/2 npt (m) 1/2 bspp (m) 1/2 bspt (m)	1/2	11
HPM65#	20	Hose	138 (2000)	Oil	1/2 npsm (m) 1/2 bspp (m)	1/2 npt (m) 1/2 bspp (m) 1/2 bspt (m)	1/2	15
HPH1D#	10	Bare	344,7 (5000)	Grease	3/8 npsm (m) 3/8 bspp (m)	3/8 npsm (f) 3/8 bspp (f)	1/4	15
HPH5D#	20	Bare	344,7 (5000)	Grease	3/8 npsm (m) 3/8 bspp (m)	3/8 npsm (f) 3/8 bspp (f)	3/8	15
HPH15#	10	Hose	344,7 (5000)	Grease	3/8 npsm (m) 3/8 bspp (m)	1/4 npt (m) 1/4 bspp (m) 1/4 bspt (m)	1/4	15
HPH23#	10	Hose	331 (4800)	Grease	3/8 npsm (m) 3/8 bspp (m)	1/4 npt (m) 1/4 bspp (m) 1/4 bspt (m)	3/8	11
HPH55#	20	Hose	331 (4800)	Grease	3/8 npsm (m) 3/8 bspp (m)	1/4 npt (m) 1/4 bspp (m) 1/4 bspt (m)	3/8	15

\* Each HP Model hose reel shown in the tables below is available in several colours. The last character of each Model No. indicates the hose reel colour. For example: A = white, B = metallic blue, C = red, D = black or F = yellow. (Other colour choices may be available from your Graco Distributor.) On the table below this last character is represented by the generic # symbol. For example, to show the complete model number for a white HPL56# model hose reel, the # symbol in the table is replaced by "A". The complete model number is: HPL56A.

# Ordering Information

	BSPP (G)	BSPT (R)	NPT	Fluid	Hose		Colour
					ID (in)	Length (m)	
SD 10	HPL2DJ	HPL2DJ	HPL2DA	Air / water	No	No	White
	HPL2DK	HPL2DK	HPL2DB	Air / water	No	No	Metallic blue
	HPL2DL	HPL2DL	HPL2DC	Air / water	No	No	Red
	HPL2DM	HPL2DM	HPL2DD	Air / water	No	No	Black
	HPL2DN	HPL2DN	HPL2DF	Air / water	No	No	Yellow
	HPL23J	HPL23P	HPL23A	Air / water	3/8	11	White
	HPL23K	HPL23R	HPL23B	Air / water	3/8	11	Metallic blue
	HPL23L	HPL23S	HPL23C	Air / water	3/8	11	Red
	HPL23M	HPL23T	HPL23D	Air / water	3/8	11	Black
	HPL23N	HPL23U	HPL23F	Air / water	3/8	11	Yellow
	HPL25J	HPL25P	HPL25A	Air / water	3/8	15	White
	HPL25K	HPL25R	HPL25B	Air / water	3/8	15	Metallic blue
	HPL25L	HPL25S	HPL25C	Air / water	3/8	15	Red
	HPL25M	HPL25T	HPL25D	Air / water	3/8	15	Black
	HPL25N	HPL25U	HPL25F	Air / water	3/8	15	Yellow
	HPL33J	HPL33P	HPL33A	Air / water	1/2	11	White
	HPL33K	HPL33R	HPL33B	Air / water	1/2	11	Metallic blue
	HPL33L	HPL33S	HPL33C	Air / water	1/2	11	Red
	HPL33M	HPL33T	HPL33D	Air / water	1/2	11	Black
	HPL33N	HPL33U	HPL33F	Air / water	1/2	11	Yellow
	HPM3BJ	HPM3BJ	HPM3BA	Oil	No	No	White
	HPM3BK	HPM3BK	HPM3BB	Oil	No	No	Metallic blue
	HPM3BL	HPM3BL	HPM3BC	Oil	No	No	Red
	HPM3BM	HPM3BM	HPM3BD	Oil	No	No	Black
	HPM3BN	HPM3BN	HPM3BF	Oil	No	No	Yellow
	HPM33J	HPM33P	HPM33A	Oil	1/2	11	White
	HPM33K	HPM33R	HPM33B	Oil	1/2	11	Metallic blue
	HPM33L	HPM33S	HPM33C	Oil	1/2	11	Red
	HPM33M	HPM33T	HPM33D	Oil	1/2	11	Black
	HPM33N	HPM33U	HPM33F	Oil	1/2	11	Yellow
	hPH1DJ	hPH1DJ	hPH1DA	Grease	No	No	White
	hPH1DK	hPH1DK	hPH1DB	Grease	No	No	Metallic blue
	hPH1DL	hPH1DL	hPH1DC	Grease	No	No	Red
	hPH1DM	hPH1DM	hPH1DD	Grease	No	No	Black
	hPH1DN	hPH1DN	hPH1DF	Grease	No	No	Yellow
	hPH15J	hPH15P	hPH15A	Grease	1/4	15	White
	hPH15K	hPH15R	hPH15B	Grease	1/4	15	Metallic blue
	hPH15L	hPH15S	hPH15C	Grease	1/4	15	Red
	hPH15M	hPH15T	hPH15D	Grease	1/4	15	Black
	hPH15N	hPH15U	hPH15F	Grease	1/4	15	Yellow
	hPH23J	hPH23P	hPH23A	Grease	3/8	11	White
	hPH23K	hPH23R	hPH23B	Grease	3/8	11	Metallic blue
hPH23L	hPH23S	hPH23C	Grease	3/8	11	Red	
hPH23M	hPH23T	hPH23D	Grease	3/8	11	Black	
hPH23N	hPH23U	hPH23F	Grease	3/8	11	Yellow	

	BSPP (G)	BSPT (R)	NPT	Fluid	Hose		Colour
					ID (in)	Length (m)	
SD 20	HPL6DJ	HPL6DJ	HPL6DA	Air / water	No	No	White
	HPL6DK	HPL6DK	HPL6DB	Air / water	No	No	Metallic blue
	HPL6DL	HPL6DL	HPL6DF	Air / water	No	No	Red
	HPL6DM	HPL6DM	HPL6DD	Air / water	No	No	Black
	HPL6DN	HPL6DN	HPL6DG	Air / water	No	No	Yellow
	HPL56J	HPL56P	HPL56A	Air / water	3/8	20	White
	HPL56K	HPL56R	HPL56B	Air / water	3/8	20	Metallic blue
	HPL56L	HPL56S	HPL56C	Air / water	3/8	20	Red
	HPL56M	HPL56T	HPL56D	Air / water	3/8	20	Black
	HPL56N	HPL56U	HPL56F	Air / water	3/8	20	Yellow
	HPL65J	HPL65P	HPL65A	Air / water	1/2	15	White
	HPL65K	HPL65R	HPL65B	Air / water	1/2	15	Metallic blue
	HPL65L	HPL65S	HPL65C	Air / water	1/2	15	Red
	HPL65M	HPL65T	HPL65D	Air / water	1/2	15	Black
	HPL65N	HPL65U	HPL65F	Air / water	1/2	15	Yellow
	HPM6DJ	HPM6DJ	HPM6DA	Oil	No	No	White
	HPM6DK	HPM6DK	HPM6DB	Oil	No	No	Metallic blue
	HPM6DL	HPM6DL	HPM6DC	Oil	No	No	Red
	HPM6DM	HPM6DM	HPM6DD	Oil	No	No	Black
	HPM6DN	HPM6DN	HPM6DF	Oil	No	No	Yellow
	HPM65J	HPM65P	HPM65A	Oil	1/2	15	White
	HPM65K	HPM65R	HPM65B	Oil	1/2	15	Metallic blue
	HPM65L	HPM65S	HPM65C	Oil	1/2	15	Red
	HPM65M	HPM65T	HPM65D	Oil	1/2	15	Black
	HPM65N	HPM65U	HPM65F	Oil	1/2	15	Yellow
	HPH5DJ	HPH5DJ	HPH5DA	Grease	No	No	White
	HPH5DK	HPH5DK	HPH5DB	Grease	No	No	Metallic blue
	HPH5DL	HPH5DL	HPH5DC	Grease	No	No	Red
	HPH5DM	HPH5DM	HPH5DD	Grease	No	No	Black
	HPH5DN	HPH5DN	HPH5DF	Grease	No	No	Yellow
	HPH55J	HPH55P	HPH55A	Grease	3/8	15	White
	HPH55K	HPH55R	HPH55B	Grease	3/8	15	Metallic blue
	HPH55L	HPH55S	HPH55C	Grease	3/8	15	Red
HPH55M	HPH55T	HPH55D	Grease	3/8	15	Black	
HPH55N	HPH55U	HPH55F	Grease	3/8	15	Yellow	

# SD Hose Reel Packages with Enclosure Kit

SD packages	Description	Dispense Valve/meter	Fitting
<b>24D989</b>		<b>No</b>	<b>No</b>
HPL23B	SD hose reel, air/water, 3/8x11m, metallic blue		
218549	LD/SD/XD inlet hose kit, 140 bar, 1/2"		
24A217	LD/SD acc size 10 enclosure, white		
<b>24D990</b>		<b>No</b>	<b>No</b>
HPL25B	SD hose reel, air/water, 3/8x15m, metallic blue		
218549	LD/SD/XD inlet hose kit, 140 bar, 1/2"		
24A217	LD/SD acc size 10 enclosure, white		
<b>24D991</b>		<b>No</b>	<b>No</b>
HPL33B	SD hose reel, air/water, 1/2x11m, metallic blue		
218549	LD/SD/XD inlet hose kit, 140 bar, 1/2"		
24A217	LD/SD acc size 10 enclosure, white		
<b>24D992</b>		<b>Yes</b>	<b>No</b>
HPL23B	SD hose reel, air/water, 3/8x11m, metallic blue		
218549	LD/SD/XD inlet hose kit, 140 bar, 1/2"		
24A217	LD/SD acc size 10 enclosure, white		
218545	Parts kit		
<b>24D993</b>		<b>Yes</b>	<b>No</b>
HPL23B	SD hose reel, air/water, 3/8x11m, metallic blue		
218549	LD/SD/XD inlet hose kit, 140 bar, 1/2"		
24A217	LD/SD acc size 10 enclosure, white		
180685	Dispense valve, water		
150287	Adapter		
<b>24D994</b>		<b>Yes</b>	<b>Yes</b>
HPL33B	SD hose reel, air/water, 1/2x11m, metallic blue		
218549	LD/SD/XD inlet hose kit, 140 bar, 1/2"		
24A217	LD/SD acc size 10 enclosure, white		
180685	Dispense valve, water		
159842	Adapter		
<b>24D995</b>		<b>No</b>	<b>Yes</b>
HPM33B	SD hose reel, oil, 1/2x11m, metallic blue		
218549	LD/SD/XD inlet hose kit, 140 bar, 1/2"		
24A217	LD/SD acc size 10 enclosure, white		
<b>24D996</b>		<b>Yes</b>	<b>No</b>
HPM33B	SD hose reel, oil, 1/2x11m, metallic blue		
218549	LD/SD/XD inlet hose kit, 140 bar, 1/2"		
24A217	LD/SD acc size 10 enclosure, white		
255350	Valve, metered, SDM5, rigid ext		
<b>24D997</b>		<b>Yes</b>	<b>No</b>
HPM33B	SD hose reel, oil, 1/2x11m, metallic blue		
218549	LD/SD/XD inlet hose kit, 140 bar, 1/2"		
24A217	LD/SD acc size 10 enclosure, white		
255348	Valve, metered, SDM5, flex ext		



# Extreme Performer in Three Sizes

## XD Series

### Hose Reels

#### Size 10



#### XD Series Features

- Designed for robust/heavy-duty applications such as mobile lube trucks or large equipment service, yet with a narrow footprint to fit more reels into small spaces
- Dual pedestal frame provides increased strength for extreme-duty applications
- Long lasting spring is sealed for protection against the weather
- Durable steel spool rides on sealed roller bearings to ensure trouble-free performance
- Available in four colours. Metallic blue is standard.
- Available with arms removed for bulkhead mounting\*

\* Contact your local distributor for more information

#### Dimensions

XD SERIES SIZE 10	
A	196 mm (7.5 in)
B	412 mm (16.2 in)
C	533 mm (21.0 in)
D	457 mm (18.0 in)
E	470 mm (18.5 in)
F	571 mm (22.5 in)

#### Size 20

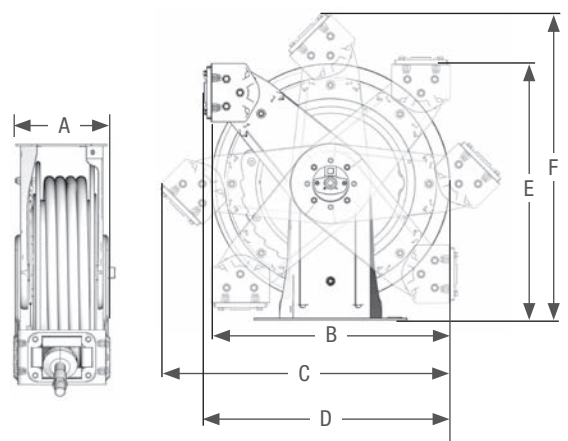
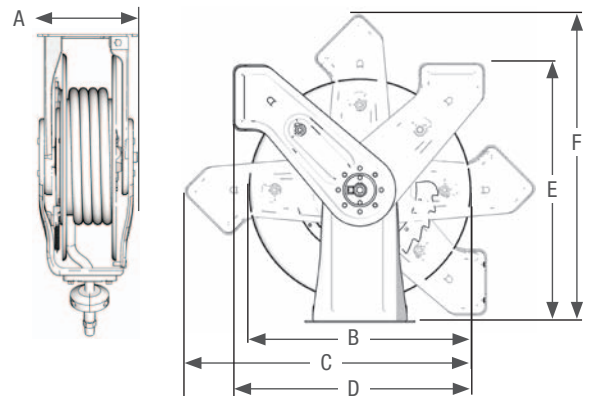


XD SERIES SIZE 20	
A	196 mm (7.5 in)
B	460 mm (18.1 in)
C	594 mm (23.4 in)
D	508 mm (20.0 in)
E	533 mm (21.0 in)
F	640 mm (25.2 in)

#### Size 30



XD SERIES SIZE 30	
A	229 mm (9.0 in)
B	546.00 mm (21.50 in)
C	659.45 mm (25.96 in)
D	561.73 mm (22.12 in)
E	588.00 mm (23.10 in)
F	700.82 mm (27.60 in)



# Technical Specifications

Model N°	Size	Type	Pressure Rating Bar (psi)	Media	Connection Size		Hose ID (inches)	Length (meters)
					Inlet	Outlet		
HSL2D#	10	Bare	20,7 (300)	Air / Water	1/2 npsm (m) 1/2 bspp (m)	3/8 npsm (f) 3/8 bspp (f)	3/8	15
HSL6D#	20	Bare	20,7 (300)	Air / Water	1/2 npsm (m) 1/2 bspp (m)	1/2 npsm (f) 1/2 bspp (f)	1/2	15
HSL25#	10	Hose	20,7 (300)	Air / Water	1/2 npsm (m) 1/2 bspp (m)	3/8 npt (m) 3/8 bspp (m) 3/8 bspt (m)	3/8	15
HSL33#	10	Hose	20,7 (300)	Air / Water	1/2 npsm (m) 1/2 bspp (m)	1/2 npsm (m) 1/2 bspp (m) 1/2 bspt (m)	1/2	11
HSL56#	20	Hose	20,7 (300)	Air / Water	1/2 npsm (m) 1/2 bspp (m)	3/8 npt (m) 3/8 bspp (m) 3/8 bspt (m)	3/8	20
HSL65#	20	Hose	20,7 (300)	Air / Water	1/2 npsm (m) 1/2 bspp (m)	1/2 npt (m) 1/2 bspp (m) 1/2 bspt (m)	1/2	15
HSM3B#	10	Bare	138 (2000)	Oil	1/2 npsm (m) 1/2 bspp (m)	1/2 npsm (f) 1/2 bspp (f)	1/2	11
HSM6D#	20	Bare	138 (2000)	Oil	1/2 npsm (m) 1/2 bspp (m)	1/2 npsm (f) 1/2 bspp (f)	1/2	15
HSM33#	10	Hose	138 (2000)	Oil	1/2 npsm (m) 1/2 bspp (m)	1/2 npt (m) 1/2 bspp (m) 1/2 bspt (m)	1/2	11
HSM65#	20	Hose	138 (2000)	Oil	1/2 npsm (m) 1/2 bspp (m)	1/2 npt (m) 1/2 bspp (m) 1/2 bspt (m)	1/2	15
HSH15#	10	Hose	5000 (344.7)	Grease	3/8 npsm (m) 3/8 bspp (m)	1/4 npt (m) 1/4 bspp (m) 1/4 bspt (m) 1/2 bspt (m)	1/4	15
HSH1D#	10	Bare	5000 (344.7)	Grease	3/8 npsm (m) 3/8 bspp (m)	3/8 npsm (f) 3/8 bspp (f)	1/4	15
HSH5D#	20	Bare	5000 (344.7)	Grease	3/8 npsm (m) 3/8 bspp (m)	3/8 npsm (f) 3/8 bspp (f)	3/8	15
HSH55#	20	Hose	331 (4800)	Grease	3/8 npsm (m) 3/8 bspp (m)	1/4 npt (m) 1/4 bspp (m) 1/4 bspt (m)	3/8	15
HNL56#	20	Hose	20,7 (300)	Air / Water	1/2 npsm (m)	3/8 npt (m)	3/8	20
HNL65#	20	Hose	20,7 (300)	Air / Water	1/2 npsm (m)	1/2 npt (m)	1/2	15
HNM65#	20	Hose	138 (2000)	Oil	1/2 npsm (m)	1/2 npt (m)	1/2	15
HNH55#	20	Hose	331 (4800)	Grease	3/8 npsm (m)	1/4 npt (m)	3/8	15

# Ordering Information

	BSPP (G)	BSPT (R)	NPT	Fluid	Hose		Colour
					ID (in)	Length (m)	
XD 10	HSL2DJ	HSL2DJ	HSL2DA	Air / water	No	No	White
	HSL2DK	HSL2DK	HSL2DB	Air / water	No	No	Metallic blue
	HSL2DN	HSL2DN	HSL2DF	Air / water	No	No	Yellow
	HSL25J	HSL25P	HSL25A	Air / water	3/8	15	White
	HSL25K	HSL25R	HSL25B	Air / water	3/8	15	Metallic blue
	HSL25N	HSL25U	HSL25F	Air / water	3/8	15	Yellow
	HSL33J	HSL33P	HSL33A	Air / water	1/2	11	White
	HSL33K	HSL33R	HSL33B	Air / water	1/2	11	Metallic blue
	HSL33N	HSL33U	HSL33F	Air / water	1/2	11	Yellow
	HSM3BJ	HSM3BJ	HSM3BA	Oil	No	No	White
	HSM3BK	HSM3BK	HSM3BB	Oil	No	No	Metallic blue
	HSM3BN	HSM3BN	HSM3BF	Oil	No	No	Yellow
	HSM33J	HSM33P	HSM33A	Oil	1/2	11	White
	HSM33K	HSM33R	HSM33B	Oil	1/2	11	Metallic blue
	HSM33N	HSM33U	HSM33F	Oil	1/2	11	Yellow
	HSH1DJ	HSH1DJ	HSH1DA	Grease	No	No	White
	HSH1DK	HSH1DK	HSH1DB	Grease	No	No	Metallic blue
	HSH1DN	HSH1DN	HSH1DF	Grease	No	No	Yellow
	HSH15J	HSH15P	HSH15A	Grease	1/4	15	White
	HSH15K	HSH15R	HSH15B	Grease	1/4	15	Metallic blue
HSH15N	HSH15U	HSH15F	Grease	1/4	15	Yellow	
XD 20	HSL6DJ	HSL6DJ	HSL6DA	Air / water	No	No	White
	HSL6DK	HSL6DK	HSL6DB	Air / water	No	No	Metallic blue
	HSL6DN	HSL6DN	HSL6DF	Air / water	No	No	Yellow
	HSL56J	HSL56P	HSL56A	Air / water	3/8	20	White
	HSL56K	HSL56R	HSL56B	Air / water	3/8	20	Metallic blue
	HSL56N	HSL56U	HSL56C	Air / water	3/8	20	Yellow
	HSL65J	HSL65P	HSL65A	Air / water	1/2	15	White
	HSL65K	HSL65R	HSL65B	Air / water	1/2	15	Metallic blue
	HSL65N	HSL65U	HSL65F	Air / water	1/2	15	Yellow
	HSM6DJ	HSM6DJ	HSM6DA	Oil	No	No	White
	HSM6DK	HSM6DK	HSM6DB	Oil	No	No	Metallic blue
	HSM6DN	HSM6DN	HSM6DF	Oil	No	No	Yellow
	HSM65J	HSM65P	HSM65A	Oil	1/2	15	White
	HSM65K	HSM65R	HSM65B	Oil	1/2	15	Metallic blue
	HSM65N	HSM65U	HSM65F	Oil	1/2	15	Yellow
	HSH5DJ	HSH5DJ	HSH5DA	Grease	No	No	White
	HSH5DK	HSH5DK	HSH5DB	Grease	No	No	Metallic blue
	HSH5DN	HSH5DN	HSH5DF	Grease	No	No	Yellow
	HSH55J	HSH55P	HSH55A	Grease	3/8	15	White
	HSH55K	HSH55R	HSH55B	Grease	3/8	15	Metallic blue
HSH55N	HSH55U	HSH55F	Grease	3/8	15	Yellow	



	BSPP (G)	BSPT (R)	NPT	Fluid	Hose		Colour
					ID (in)	Length (m)	
-	-	-	HSLC8A	Air / water	1/2	23	White
-	-	-	HSLC8B	Air / water	1/2	23	Metallic blue
-	-	-	HSLC8F	Air / water	1/2	23	Yellow
-	-	-	HSLD5A	Air / water	3/4	15	White
-	-	-	HSLD5B	Air / water	3/4	15	Metallic blue
-	-	-	HSLD5F	Air / water	3/4	15	Yellow
-	-	-	HSMCFA	Oil	No	No	White
-	-	-	HSMCFB	Oil	No	No	Metallic blue
-	-	-	HSMCFF	Oil	No	No	Yellow
-	-	-	HSMDDA	Oil	No	No	White
-	-	-	HSMDDB	Oil	No	No	Metallic blue
-	-	-	HSMDDF	Oil	No	No	Yellow
-	-	-	HSMC8A	Oil	1/2	23	White
-	-	-	HSMC8B	Oil	1/2	23	Metallic blue
-	-	-	HSMC8F	Oil	1/2	23	Yellow
-	-	-	HSMD5A	Oil	3/4	15	White
-	-	-	HSMD5B	Oil	3/4	15	Metallic blue
-	-	-	HSMD5F	Oil	3/4	15	Yellow
-	-	-	HSHCDA	Grease	No	No	White
-	-	-	HSHCDB	Grease	No	No	Metallic blue
-	-	-	HSHCDF	Grease	No	No	Yellow
-	-	-	HSHC5A	Grease	1/2	15	White
-	-	-	HSHC5B	Grease	1/2	15	Metallic blue
-	-	-	HSHC5F	Grease	1/2	15	Yellow
-	-	-	HSHFFA	Pressure wash	No	No	White
-	-	-	HSHFFB	Pressure wash	No	No	Metallic blue
-	-	-	HSHFFF	Pressure wash	No	No	Yellow
-	-	-	HSPB8A	Pressure wash	3/8	23	White
-	-	-	HSPB8B	Pressure wash	3/8	23	Metallic blue
-	-	-	HSPB8F	Pressure wash	3/8	23	Yellow
-	-	-	HSLE3A	Fuel	1	9	White
-	-	-	HSLE3B	Fuel	1	9	Metallic blue
-	-	-	HSLE3F	Fuel	1	9	Yellow

# LD Enclosed Hose Reel Accessories

## Mounting Brackets

Includes all parts to mount reel on wall or ceiling, bench, table or tank top-mount

Part Number	Mounting Options
24C772	Tote, Bench or Wall Mount Post
24E506	Fixed Installation Kit



Tote, Bench or Wall Mount Post  
24C772



Ceiling/Wall Stationary Bracket 24E506



Ceiling/Wall Swivel Mount (standard)



Ceiling/Wall Stationary Mount (optional)



Tote, Bench or Wall Mount Post (optional)



Hose Inlet Kit for LD Enclosed reels

## Hose Inlet Kits for LD Enclosed Hose Reel

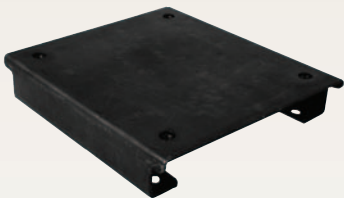
	Part number	Hose inlet Description	Fits reel	Pressure Bar (psi)	Hose ID mm (in)	Length mm (in)	Hose inlet In	Hose outlet In
FOR BSP CONNECTIONS	24C437	Air	HEL13D	17.2 (250)	6 (1/4)	915 (36 in)	1/4 bspt (m)	1/4 bspt (m)
			HEL15D	17.2 (250)	6 (1/4)		1/4 bspt (m)	1/4 bspt (m)
	24C438	Air / water	HEL23D	17.2 (250)	12 (1/2)		1/2 bspt (m)	3/8 bspt (m)
			HEL25D	17.2 (250)	12 (1/2)		1/2 bspt (m)	3/8 bspt (m)
			HEL33D	17.2 (250)	12 (1/2)		1/2 bspt (m)	1/2 bspt (m)
			HEL34D	17.2 (250)	12 (1/2)		1/2 bspt (m)	1/2 bspt (m)
	24C440	Oil	HEM23D	124 (1,800)	12 (1/2)		1/2 bspt (m)	3/8 bspt (m)
HEM33D			124 (1,800)	12 (1/2)	1/2 bspt (m)		1/2 bspt (m)	
24C442	Grease	HEH13D	345 (5,000)	6 (1/4)	1/4 bspt (m)		1/4 bspt (m)	
FOR NPT CONNECTIONS	24C443	Air	HEL13D	17.2 (250)	6 (1/4)		1/4 npt (m)*	1/4 npt (m)*
			HEL15D	17.2 (250)	6 (1/4)		1/4 npt (m)*	1/4 npt (m)*
	24C444	Air / water	HEL23D	17.2 (250)	10 (3/8)		1/2 npt (m)*	3/8 npt (m)*
			HEL25D	17.2 (250)	12 (1/2)		1/2 npt (m)*	3/8 npt (m)*
			HEL33D	17.2 (250)	12 (1/2)		1/2 bspt (m)	1/2 bspt (m)
	24C445	Air / water	HEL34D	17.2 (250)	12 (1/2)	1/2 bspt (m)	1/2 bspt (m)	
			HEM23D	124 (1,800)	12 (1/2)	1/2 npt (m)*	1/2 npt (m)*	
	24C537	Oil	HEM33D	124 (1,800)	12 (1/2)	1/2 npt (m)*	1/2 npt (m)*	
	24C538	Oil	HEM33D	124 (1,800)	12 (1/2)	1/2 npt (m)*	1/2 npt (m)*	
24C539	Grease	HEH13D	345 (5,000)	6 (1/4)	1/4 npt (m)*	1/4 npt (m)*		

\* NPT hose connection when using BSP to NPT adapter (included)

# SD and XD Hose Reel Accessories



Now available  
in 6 colours!



Retrofit Bracket to 500 Series



Mounting Bracket



Ball Stop Kit



Hose Inlet Kit for SD  
and XD open reels

## Reel Enclosures

- Designed for enclosing SD single pedestal reels
- Enclosures provide protection to extend the life of hoses and bearings

Enclosure kits for one reel	Part numbers by Colour					
	White*	Metallic Blue	Red	Black	Dark Blue	Yellow
Size 10 Enclosure	24A217	24A940	24A941	24A942	24A943	24A944
Size 20 Enclosure	24A218	24A945	24A946	24A947	24A948	24A949
Size 10 End Caps (2)	-	-	-	24A950	-	-
Size 20 End Caps (2)	-	-	-	24A951	-	-

\* White enclosures available for immediate shipment. Consult factory for lead-time for other colours.

## Mounting Channels

Enclosure mounting channels accommodate one, two, three, four, five or six reels (includes all parts needed to mount hose reels to walls or ceilings)

Description	Mounting Channel					
	1 Reel	2 Reels	3 Reels	4 Reels	5 Reels	6 Reels
SD10 and SD20*	24A934	24A935	24A936	24A937	24A938	24A939
XD10 and XD20	24A219	24A220	24A221	-	-	24A222
Enclosure Kit	203521	203522	203523	203524	203525	203526

\* For use without enclosure kit

## Retrofit Adapter Kits

24A224	Includes all parts to mount hose reel to existing 500 series mounting pattern
24C100	Includes all parts to convert SD10 hose reels to fit existing 250 series enclosures

## Mounting Bracket

204741	Secures mounting channel to I-beam without drilling. Two brackets are required for 1-3 hose reels; three brackets for 4-6 hose reels.
--------	---------------------------------------------------------------------------------------------------------------------------------------

## Ball Stop Kits

Part Number	Typical Hose ID
222225*	For 6.4 mm (1/4 in) i.d. hose
218340*	For 6.4-9.5 mm (1/4-3/8 in) i.d. hose
218341*	For 9.5-12.7 mm (3/8-1/2 in) i.d. hose
237873	For 19 mm (3/4 in) i.d. hose
237874	For 25 mm (1 in) i.d. hose
24D132	For 9.5 mm (3/8 in) o.d. hose
24D133	For 12.7 mm (1/2 in) o.d. hose

\*Not for use with XD30 reels

## Hose Inlet Kits

FOR SD AND XD REELS					
Part Number	Description	Pressure Bar (psi)	Hose ID mm (in)	Length mm (in)	Hose inlet
218549	Low /medium pressure	137 (2000)	12 (1/2)	610 (24)	npt (m)
218550	High pressure	276 (4000)	10 (3/8)	610 (24)	npt (m)
222417	High pressure	345 (5000)	6 (1/4)	610 (24)	npt (m)

## ABOUT GRACO

Founded in 1926, Graco is a world leader in fluid handling systems and components. Graco products move, measure, control, dispense and apply a wide range of fluids and viscous materials used in vehicle lubrication, commercial and industrial settings.

The company's success is based on its unwavering commitment to technical excellence, world-class manufacturing and unparalleled customer service. Working closely with qualified distributors, Graco offers systems, products and technology that set the quality standard in a wide range of fluid handling solutions. Graco provides equipment for spray finishing, protective coating, paint circulation, lubrication, and dispensing sealants and adhesives, along with power application equipment for the contractor industry. Graco's ongoing investment in fluid management and control will continue to provide innovative solutions to a diverse global market.

## GRACO LOCATIONS

### MAILING ADDRESS

P.O. Box 1441  
Minneapolis, MN 55440-1441  
Tel: 612-623-6000  
Fax: 612-623-6777

### AMERICAS

#### MINNESOTA

Worldwide Headquarters  
Graco Inc.  
88-11th Avenue N.E.  
Minneapolis, MN 55413

### EUROPE

#### BELGIUM

European Headquarters  
Graco BVBA  
Industrieterrein-Oude Bunders  
Slakweidestraat 31  
3630 Maasmechelen,  
Belgium  
Tel: 32 89 770 700  
Fax: 32 89 770 777

### ASIA PACIFIC

#### AUSTRALIA

Graco Australia Pty Ltd.  
Suite 17, 2 Enterprise Drive  
Bundoora, Victoria 3083  
Australia  
Tel: 61 3 9468 8500  
Fax: 61 3 9468 8599

#### CHINA

Graco Hong Kong Ltd.  
Shanghai Representative Office  
Building 7  
1029 Zhongshan Road South  
Huangpu District  
Shanghai 200011  
The People's Republic of China  
Tel: 86 21 649 50088  
Fax: 86 21 649 50077

### INDIA

Graco Hong Kong Ltd.  
India Liaison Office  
Room 432, Augusta Point  
Regus Business Centre 53  
Golf Course Road  
Gurgaon, Haryana  
India 122001  
Tel: 91 124 435 4208  
Fax: 91 124 435 4001

#### JAPAN

Graco K.K.  
1-27-12 Hayabuchi  
Tsuzuki-ku  
Yokohama City, Japan 2240025  
Tel: 81 45 593 7300  
Fax: 81 45 593 7301

#### KOREA

Graco Korea Inc.  
Shinhan Bank Building  
4th Floor #1599  
Gwanyang-Dong, Dongan-Ku,  
Anyang-si, Korea 431-060  
Tel: 82 31 476 9400  
Fax: 82 31 476 9801

All written and visual data contained in this document are based on the latest product information available at the time of publication. Graco reserves the right to make changes at any time without notice.

Graco is certified ISO 9001.

*Authorized Graco distributor:*

### Stavanger Korrosjon AS

Strandbakken 3, Dusavik Base  
4072 Randaberg  
Norway  
Phone +47 51410711  
post@stavanger-korrosjon.no  
www.stavanger-korrosjon.no

Europe

+32 89 770 700  
FAX +32 89 770 777  
WWW.GRACO.COM

©2012 Graco BVBA 340309ENEU Rev.D 06/12 Printed in Europe.

All other brand names or marks are used for identification purposes and are trademarks of their respective owners.